



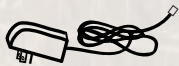
NATURAL WHITE LED LIGHT THAT PRODUCES MINIMAL HEAT

- Durable steel housing in three great finishes
- Easy to install
- No lamps to replace
- 3100°K White LED light
- Produces minimal heat – helps keep displays cool
- Flush-mount or surface mount installation
- Saves energy – each puck uses only three watts
- Long life – up to 60,000 hours
- No harmful ultraviolet (UV) rays
- Link up to three pucks per driver (sold separately)
- Junction box (sold separately) is required for linking multiple units

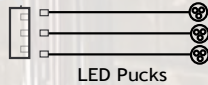
Item #	Description
LPL-1BS	LED Puck Light, Brushed Steel, 3 watts
LPL-1BR	LED Puck Light, Bronze, 3 watts
LPL-1BK	LED Puck Light, Black, 3 watts
RCA-JBOX	Junction box for up to 3 pucks
RCA-EX24	24" extension cable, RCA male to female
019-0004A	LED driver, 350mA, with RCA connector for up to 3 pucks*

For recessed mounting, a 2 3/8" diameter hole is required.
*c/UL/us Listed

3-Light LED Puck Example



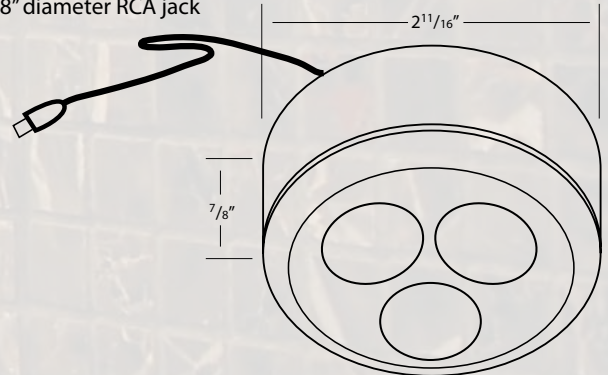
Plug-in LED Driver with 6 foot lead (019-0004A)



LED Pucks

Power Connector (RCA-JBOX)

36" 22AWG wire with 3/8" diameter RCA jack



019-0004A

RCA-JBOX

RCA-EX24