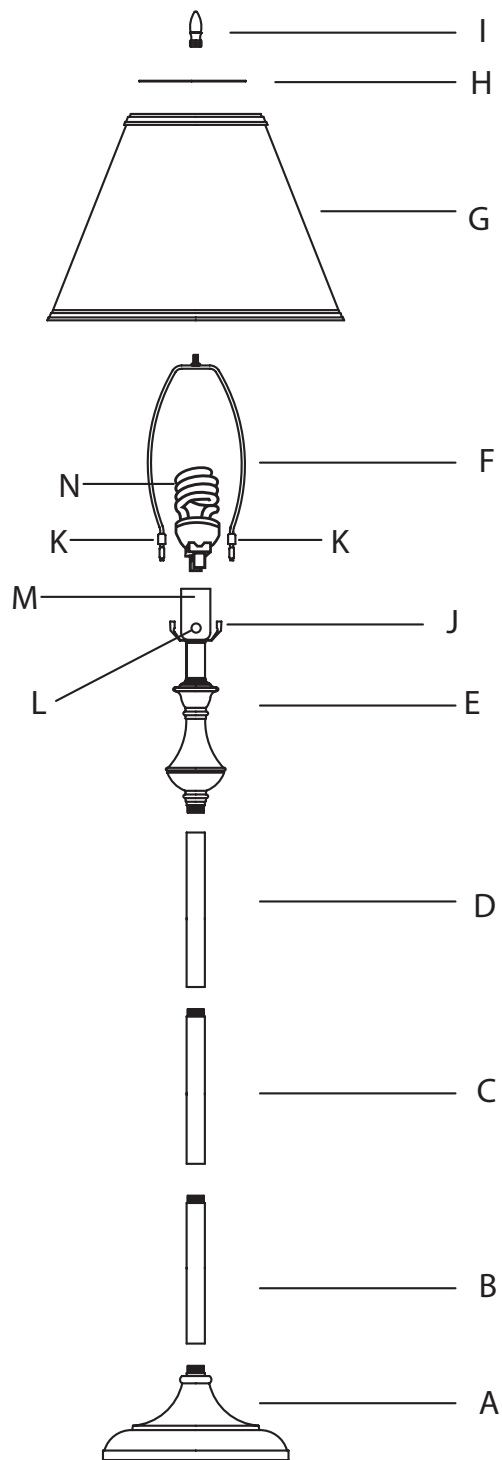




25W Covington Floor Lamp

2529246K

Ott-Lite Distributed by BLI Lighting Specialists



CAUTION! IMPORTANT SAFETY INSTRUCTIONS:

THIS PORTABLE LAMP HAS A POLARIZED PLUG (ONE BLADE IS WIDER THAN THE OTHER) AS A FEATURE TO REDUCE THE RISK OF ELECTRIC SHOCK. THIS PLUG WILL FIT IN A POLARIZED OUTLET ONLY ONE WAY. IF THE PLUG DOES NOT FIT FULLY IN THE OUTLET, REVERSE THE PLUG. IF IT STILL DOES NOT FIT, CONTACT A QUALIFIED ELECTRICIAN. NEVER USE WITH AN EXTENSION CORD UNLESS PLUG CAN BE FULLY INSERTED. DO NOT ALTER THE PLUG.

CAUTION: TO PREVENT ELECTRIC SHOCK, MATCH WIDE BLADE OF PLUG TO WIDE SLOT, FULLY INSERT.

- If the supply cord is damaged, it must be replaced by the manufacturer or its service agent or a similar qualified person in order to avoid a hazard.
- Indoor use only.

AVERTISSEMENT! IMPORTANTES DIRECTIVES DE SÉCURITÉ:

CETTE LAMPE PORTATIVE EST MUNIE D'UNE FICHE POLARISÉE (UNE LAME PLUS LARGE QUE L'AUTRE). CE DISPOSITIF DE SÉCURITÉ DIMINUE LE RISQUE DE CHOCS ÉLECTRIQUES PUISQUE LA FICHE NE S'INSÈRE DANS LA PRISE QUE D'UN SEUL CÔTÉ. SI ELLE N'ENTRE PAS DANS LA PRISE, INVERSEZ-LA. SI ELLE N'ENTRE TOUJOURS PAS, CONTACTEZ UN ÉLECTRICIEN QUALIFIÉ. N'UTILISEZ JAMAIS AVEC UNE RALLONGE SAUF SI LA FICHE S'INSÈRE ENTIÈREMENT. NE MODIFIEZ PAS CE DISPOSITIF DE SÉCURITÉ.

AVERTISSEMENT: POUR ÉVITER LES CHOCS ÉLECTRIQUE, INSÉREZ LE BOUT LARGE DE LA FICHE DANS LA GRANDE FENTE ET PUSSEZ JUSQU'AU BOUT.

- Si le câble d'alimentation est endommagé, il doit être remplacé par le fabricant, son agent de service ou une personne qualifiée afin d'éviter les accidents.
- Utilisation intérieure seulement.

¡PRECAUCIÓN! INSTRUCCIONES DE SEGURIDAD IMPORTANTES:

ESTA LÁMPARA PORTÁTIL TIENE UN ENCHUFE POLARIZADO (UNA DE SUS PATAS ES MÁS ANCHA QUE LA OTRA) COMO CARACTERÍSTICA PARA REDUCIR EL RIESGO DE UNA DESCARGA ELÉCTRICA. ESTE ENCHUFE ENCAJARÁ EN CUALQUIER TOMACORRIENTE POLARIZADO SOLO DE UNA MANERA. SI EL ENCHUFE NO CALZA COMPLETAMENTE EN EL TOMACORRIENTE DÉLE LA VUELTA. SI AÚN NO ENCAJA, PÓNGASE EN CONTACTO CON UN ELECTRICISTA CALIFICADO. NUNCA UTILICE UNA EXTENSIÓN A NO SER QUE EL ENCHUFE PUEDA SER TOTALMENTE INSERTADO. NO ALTERE EL ENCHUFE.

PRECAUCIÓN: PARA PREVENIR UNA DESCARGA ELÉCTRICA, HAGA COINCIDIR LA PATA ANCHA DEL ENCHUFE CON LA RANURA ANCHA, INSERTE TOTALMENTE.

- Si el cordón sufre algún daño, debe ser reemplazado por el fabricante, su agente de servicio o persona similarmente calificada para evitar cualquier peligro.
- Sólo para uso en interiores.

ENGLISH 25W Covington Floor Lamp

LAMP ASSEMBLY

1. Unpack all lamp parts and lay out on the floor with the base (A) lying flat.
2. Thread Section (D) to Section (E) by hand, turning clockwise until tight.
3. Thread Section (C) to Section (D) by hand, turning clockwise until tight.
4. Thread Section (B) to Section (C) by hand, turning clockwise until tight.
5. Thread Section (B) to Base (A) by hand, turning clockwise until tight.
6. Attach Harp (F) to Harp Holder (J) by squeezing open ends of harp, placing flattened section inside of Harp Holder (J) and releasing. End by sliding Harp Brackets (K) over Harp Holder (J).
7. Assemble knock down Shade (G) by:
 - 7A. Holding shade upside down, so it will open.
 - 7B. Pushing interior wire supports downward and outward until they snap in place inside the top rim of the shade.
8. Place Shade (G) on Harp (F).
9. Place Reflector (H) on top of Shade (G), making sure the white side faces down.
10. Thread Finial (I) onto Shade and Reflector by hand, turning clockwise until snug.
11. Install bulb following BULB INSERTION/REPLACEMENT instructions.
12. Plug the lamp into a standard 120V outlet.
13. Turn lamp on or off by rotating Socket switch (L) clockwise.

BULB INSERTION/REPLACEMENT

1. Make sure the lamp is not plugged into an electrical socket.
2. If the lamp has been in use, allow it to cool for approximately five minutes before proceeding.
3. To remove a bulb (N) already installed in the lamp, grasp it firmly in your hand and pull it straight out of the socket (M). **Do not twist or turn the bulb while removing it from the socket.**
4. To install a bulb (N) in the socket (M), grasp the bulb firmly in your hand and push the bulb straight into the socket by applying pressure to the base of bulb, until it "snaps" into place. Do not apply pressure to the glass end of the bulb.
5. Plug the lamp into a standard 120V socket, and your lamp is ready for use.

Please note that in operation, OTT-LITE® bulbs are not dimmable.

Enjoy your OTT-LITE® Covington Floor Lamp!

This lighting system is designed for use with OTT-LITE VisionSaver Plus® bulbs only (model number H3400K). Use of other products voids the warranty and may result in damage to the lighting system.

