



**OTT-LITE**  
TECHNOLOGY®  
The Science of Natural Light™

## 25W Kendall Table Lamp

25B8346K

### CAUTION! IMPORTANT SAFETY INSTRUCTIONS:

THIS PORTABLE LAMP HAS A POLARIZED PLUG (ONE BLADE IS WIDER THAN THE OTHER) AS A FEATURE TO REDUCE THE RISK OF ELECTRIC SHOCK. THIS PLUG WILL FIT IN A POLARIZED OUTLET ONLY ONE WAY. IF THE PLUG DOES NOT FIT FULLY IN THE OUTLET, REVERSE THE PLUG. IF IT STILL DOES NOT FIT, CONTACT A QUALIFIED ELECTRICIAN. NEVER USE WITH AN EXTENSION CORD UNLESS PLUG CAN BE FULLY INSERTED. DO NOT ALTER THE PLUG.

**CAUTION:** TO PREVENT ELECTRIC SHOCK, MATCH WIDE BLADE OF PLUG TO WIDE SLOT, FULLY INSERT.



### ASSEMBLY

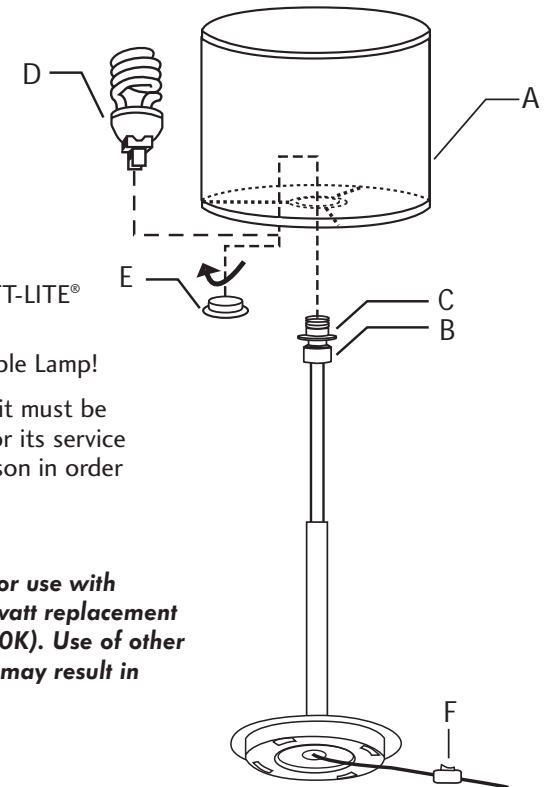
- 1 Set the lamp upright on its base.
- 2 Thread the bottom socket nut (C) almost to the bottom of the socket (B).
- 3 To install the shade (A), place it over the bulb socket (B) and let it rest on the bottom socket nut (C).
- 4 To secure the shade, finger-tighten the top socket nut (E) onto the socket (B) while firmly holding the bottom socket nut (C) in place.
- 5 To install bulb, follow BULB INSERTION/REPLACEMENT instructions.
- 6 Plug the lamp into a standard 120V outlet. To turn lamp on or off, depress the rocker switch (F) located on the power cord.

### BULB INSERTION/REPLACEMENT

Make sure the lamp is not plugged into an electrical outlet.

- 1 **Installation:**  
Carefully remove the bulb (D) from its box. The bulb may be handled by the glass but, to avoid breakage, do not bump, drop, or put pressure on the glass.
- 2 Hold the lamp by the socket (B) and the bulb (D) by its base.
- 3 Align the bulb (D) with the holes in the socket (B) and firmly push. A “click” sound should be heard. Lightly tug on the bulb to ensure the socket has captured it.

- 4 **Removal:**  
If the lamp has been in use, allow it to cool approximately five minutes before proceeding.
- 5 Hold the lamp by the socket (B) and firmly grasp the bulb by its base.
- 6 Unseat the bulb by slightly rocking it while firmly pulling on its base.



Please note that in operation, OTT-LITE® bulbs are not dimmable.

Enjoy your OTT-LITE® Kendall Table Lamp!

- If the supply cord is damaged, it must be replaced by the manufacturer or its service agent or a similar qualified person in order to avoid a hazard.
- Indoor use only.

***This lighting system is designed for use with OTT-LITE® VisionSaver Plus™ 25 watt replacement bulbs only (model number H3400K). Use of other products voids the warranty and may result in damage to the lighting system.***