

Ott-Lite Distributed by BLI Lighting Specialists

25W Hawthorne Floor Lamp

25F92R7K

LAMP ASSEMBLY

WARNING: To prevent electric shock, make sure the lamp is not plugged in until all assembly steps are complete.

- 1 Carefully unpack the lamp and shade.
- 2 Refer to the drawing for part descriptions.
- 3 By hand, firmly screw the lower pole (2) onto the base (1).
- 4 Set the lamp upright on its base.
- 5 If the threaded insert (4) is loose from the lower pole (2), simply screw it back into the lower pole before attaching the poles together.
- 6 By hand, carefully screw the upper pole (3) into the lower pole (2). To avoid interference by the shade, hold sliding pole (5) while turning the upper pole (3). If necessary, loosen slip nut (9) to allow lower pole to turn on sliding pole.
- 7 Rod standoffs (6a & 6b) can be positioned as desired. Use the Hex wrench provided to loosen set screws 8b and 8d. Then slide the standoff into position. Set screws may scratch the finish when tightened, make sure rod standoffs are positioned where desired before retightening the set screws.
- 8 Insert upper and lower rods (7a & 7b) into rod standoffs (6a & 6b) and screw together by hand. Make sure the longer rod with the flat bottomed knob (7a) slides through the lower standoff (6a) with the flat knob touching the base, and that the shorter rod (7b) with the oval knob on top slides through the top standoff (6b) when assembling the lamp.
- 9 Slide assembled rod to position desired. Then tighten set screws 8a and 8c to hold it.



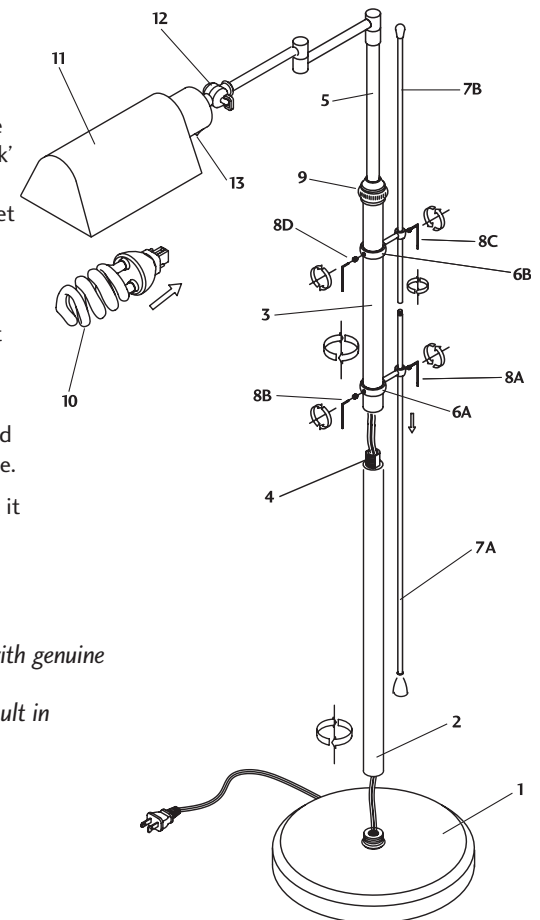
- 10 To adjust height of shade (11):
 - a. Loosen slip nut (9), turn counter-clockwise
 - b. Pull or push sliding rod (5) (when lowering, power cord may have to be pulled from bottom of base (1))
 - c. Tighten slip nut (9), turn clockwise
- 11 Adjust angle of shade (11) by loosening knob (12) until the shade can be repositioned then tighten knob (12).
- 12 Install bulb (10). See BULB INSTALLATION/REMOVAL.
- 13 Plug the lamp into a standard 120V outlet.
- 14 To turn the lamp on or off, depress rocker switch (13) on underside of shade base.

BULB INSTALLATION/REMOVAL

CAUTION: Be careful to avoid bulb breakage from hitting the tube on the shade end. Make sure that the lamp is not plugged into an electrical outlet.

INSTALLATION

- 1 Carefully remove the bulb (10) from its box. The bulb can be handled by the glass but, to avoid breakage, do not bump, drop, or put pressure on the glass.
- 2 Hold the lamp by the shade (11) and the bulb (10) by its base.
- 3 Align the bulb with the holes in the bulb socket and firmly push. A 'click' sound should be heard. Lightly tug on the bulb to ensure that the socket has captured it.



REMOVAL

- 1 If the lamp has been in use, allow it to cool approximately 5 minutes before proceeding.
- 2 Hold the lamp by the shade (11) and firmly grasp the bulb (10) by its base.
- 3 Unseat the bulb by slightly rocking it while firmly pulling on its base.

This lighting system is designed for use with genuine OTT-LITE 25W bulb only. Use of other products voids the warranty and may result in damage to the lighting system.

Please note that in operation, OTT-LITE bulbs are not dimmable.

Enjoy your
OTT-LITE® Hawthorne Floor Lamp!