

13W Task Lamp

B409GP-AU
SL-322

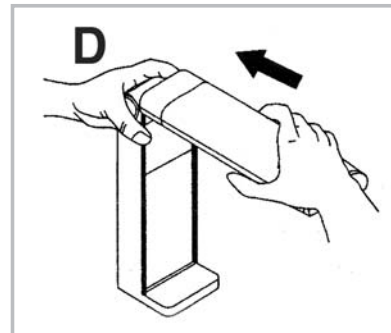
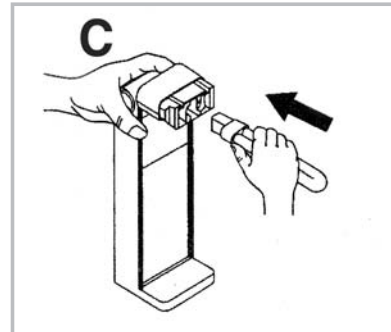
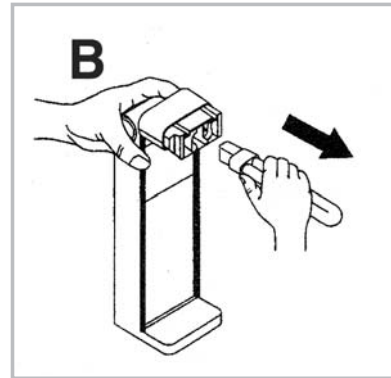
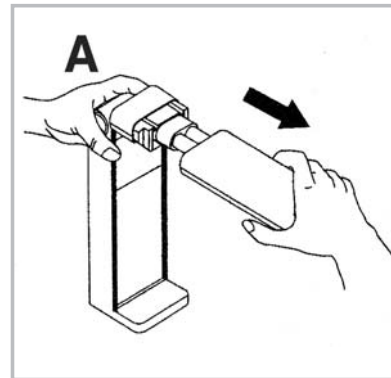


CAUTION! IMPORTANT SAFETY INSTRUCTIONS:

THIS PORTABLE LAMP HAS A POLARIZED PLUG (ONE BLADE IS WIDER THAN THE OTHER) AS A FEATURE TO REDUCE THE RISK OF ELECTRIC SHOCK. THIS PLUG WILL FIT IN A POLARIZED OUTLET ONLY ONE WAY. IF THE PLUG DOES NOT FIT FULLY IN THE OUTLET, REVERSE THE PLUG. IF IT STILL DOES NOT FIT, CONTACT A QUALIFIED ELECTRICIAN. NEVER USE WITH AN EXTENSION CORD UNLESS PLUG CAN BE FULLY INSERTED. DO NOT ALTER THE PLUG.

CAUTION: TO PREVENT ELECTRIC SHOCK, MATCH WIDE BLADE OF PLUG TO WIDE SLOT, FULLY INSERT.

- If the supply cord is damaged, it must be replaced by the manufacturer or its service agent or a similar qualified person in order to avoid a hazard.
- Indoor use only.



13W Task Lamp

1. Make sure the lamp is not plugged into an electrical socket.
2. If the lamp has been in use, allow it to cool approximately five minutes before proceeding.
3. Remove the shade by pulling it away from the lamp (A).
4. To remove a tube already installed in the lamp, grasp it firmly in your hand and pull it straight out of the socket (B). **Do not twist or turn the tube.**
5. To install a tube in the socket, hold the tube firmly by the base and push it straight into the socket until it “snaps” into place (C).
6. Replace the shade by pushing it back into the body of the lamp (D).
7. To tighten or loosen the tension in the shade pivot point, use a coin in the slot on the side of the lamp.

Please note that in operation, OTT-LITE® tubes are not dimmable.

Enjoy your OTT-LITE® Task Lamp!

This lighting system is designed for use with OTT-LITE® TrueColor™ tubes only (model number 7T13CH-UK). Use of other products voids the warranty and may result in damage to the lighting system.