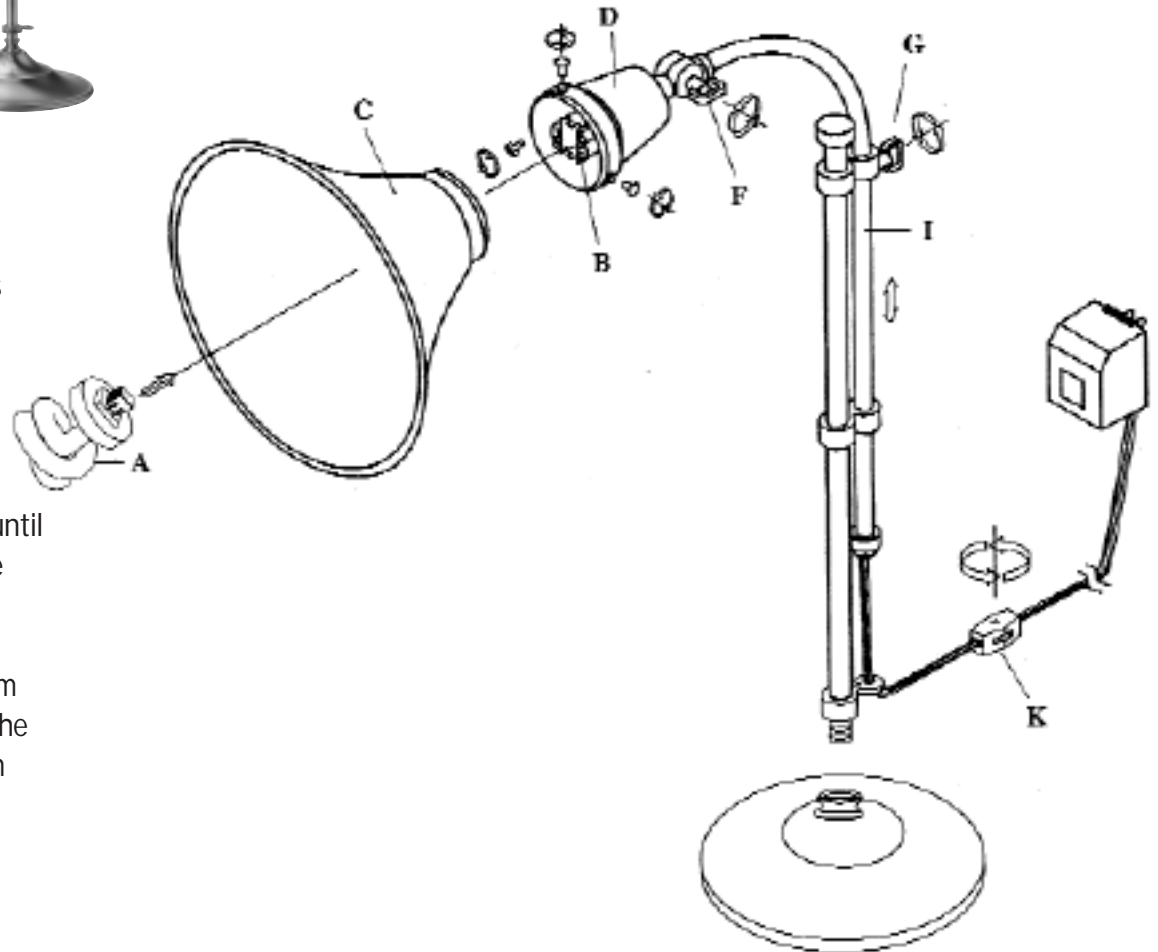


## 18W Captiva Table Lamp

E18SW2 E18YW2



- 1 Carefully unwrap packing from the lamp and shade. The glass shade is included in a separate box.
- 2 Insert the lamp shaft into the hole located on the top of the base. Turn shaft clockwise until it is secure on the base.
- 3 Insert the 18 watt swirl bulb (A) straight into the socket (B) until a "click" sound is heard. In order to remove the bulb from the socket, pull it straight out. Do not twist the bulb.
- 4 To attach the glass shade (C), carefully remove the shade from the box. Insert the shade into the socket head (D). Tighten the three screws, at the base of the socket head, by turning them clockwise until the shade is secure on the lamp.



- 5 The angle of the lampshade and the lamp height are adjustable.
  - In order to adjust the lamp shade to the desired position, loosen the knob (F) by turning it counter-clockwise. Adjust shade to the desired position and tighten knob by turning it clockwise.
  - In order to adjust the lamp height, loosen the knob (G) by turning it counter-clockwise. Adjust the shaft height (I) to the desired position and tighten the knob by turning it clockwise.
- 6 Plug lamp into a standard 120V socket and turn the power switch (K).

Please note that in operation, OTT-LITE bulbs are not dimmable.  
Enjoy your OTT-LITE® Captiva Table Lamp!