

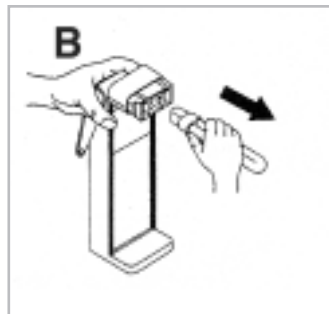
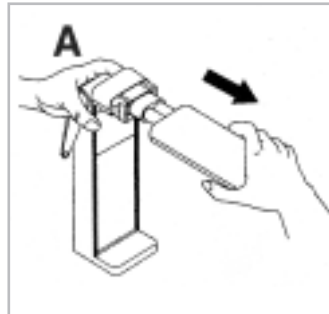


## 13W Task Lamp

L13331 L139AB

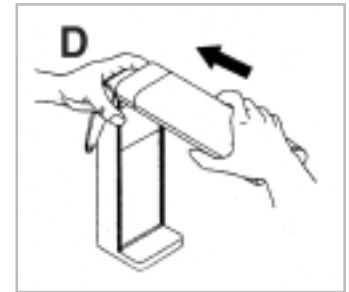
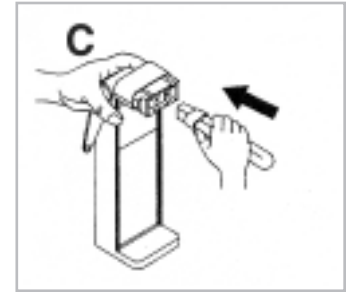
### BULB INSERTION / REPLACEMENT

- 1 Make sure that the lamp is not plugged into an electrical socket.
- 2 If the lamp has been in use, allow it to cool approximately five minutes before proceeding.
- 3 Remove the shade by pulling it away from the lamp (A).
- 4 To remove a tube already installed in the lamp, grasp it firmly in your hand and pull it straight out of the socket (B). Do not twist or turn the tube.



- 5 To install a tube in the socket, hold the tube firmly by the base and push it straight into the socket until it "snaps" into place (C).
- 6 Replace the shade by pushing it back into the body of the lamp (D).

Please note that in operation, OTT-LITE bulbs are not dimmable. Enjoy your OTT-LITE® Task Lamp!



### SWIVEL BASE ASSEMBLY

- 1 Snap Part (F) onto the top of Part (G) to form a disk.
- 2 Insert the prongs of the disk (G) into the circular metal hole in the bottom of the lamp and snap into place.
- 3 The swivel base is now ready to use.

