



OTT-LITE
TECHNOLOGY®
The Science of Natural Light™



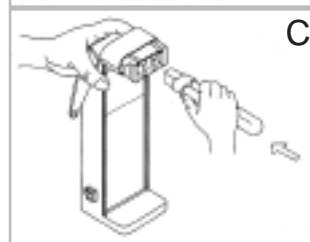
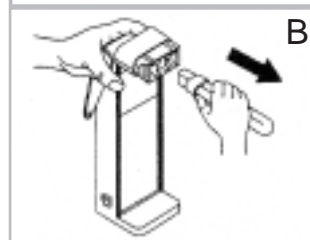
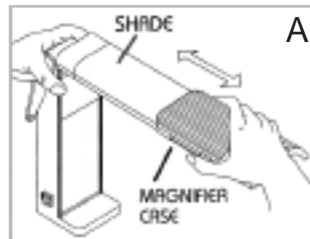
Instruction Manual

13W Task Magnifier Lamp

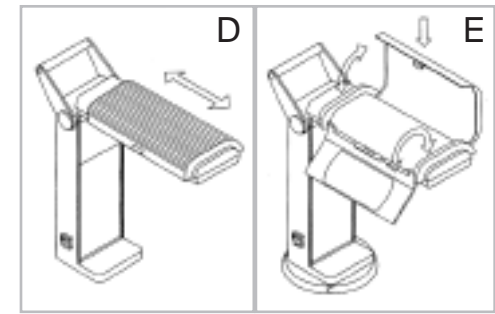
L13338

BULB INSERTION / REPLACEMENT

- 1 Make sure that the lamp is not plugged into an electrical socket.
- 2 If the lamp has been in use, allow it to cool approximately five minutes before proceeding.
- 3 Remove the magnifier and shade by pulling them away from the lamp (A).
- 4 To remove a tube already installed in the lamp, grasp it firmly in your hand and pull it straight out of the socket (B). Do not twist or turn the tube.
- 5 To install a tube in the socket, hold the tube firmly by the base and push it straight into the socket until it "snaps" into place (C).
- 6 To replace the shade, guide notches of shade into grooves in the base unit and firmly click shade into place (D).



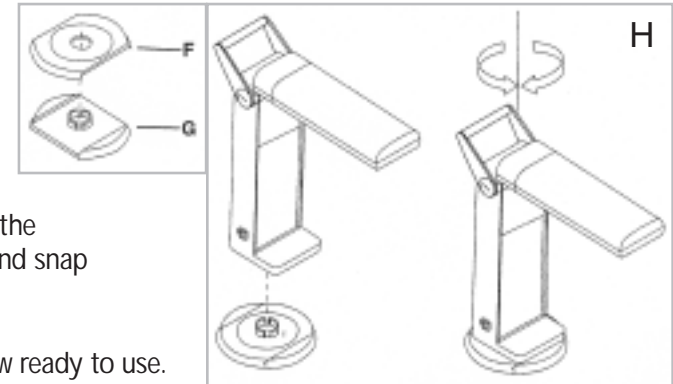
- 7 Slide on the magnifier at extreme front end of shade (D).
- 8 To open magnifier case for use, apply gentle pressure to the indentation in the side of the case and pull the lid upward. The magnifier will then be exposed and you can flip down for use (E).



Please note that in operation, OTT-LITE bulbs are not dimmable.
Enjoy your OTT-LITE® Task Magnifier Lamp!

SWIVEL BASE ASSEMBLY

- 1 Snap Part (F) onto the top of Part (G) to form a disk.
- 2 Insert the prongs of the disk (G) into the circular metal hole in the bottom of the lamp and snap into place.
- 3 The swivel base is now ready to use.



DATAPORT

- 1 Connect laptop, modem or telephone using a standard telephone cord into the phone jack located on the right side of the Magnifier Task Light, (L) as indicated by (J).
- 2 Using the included telephone cord, connect lamp to an outbound telephone jack, by plugging end of cord into the phone jack located on the left side of the lamp and the free end of the cord into a standard telephone jack located in your home or office, as indicated by (K).

