

18W Crane Lamp

L18336

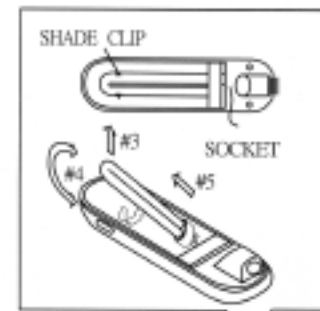


BULB INSERTION / REPLACEMENT

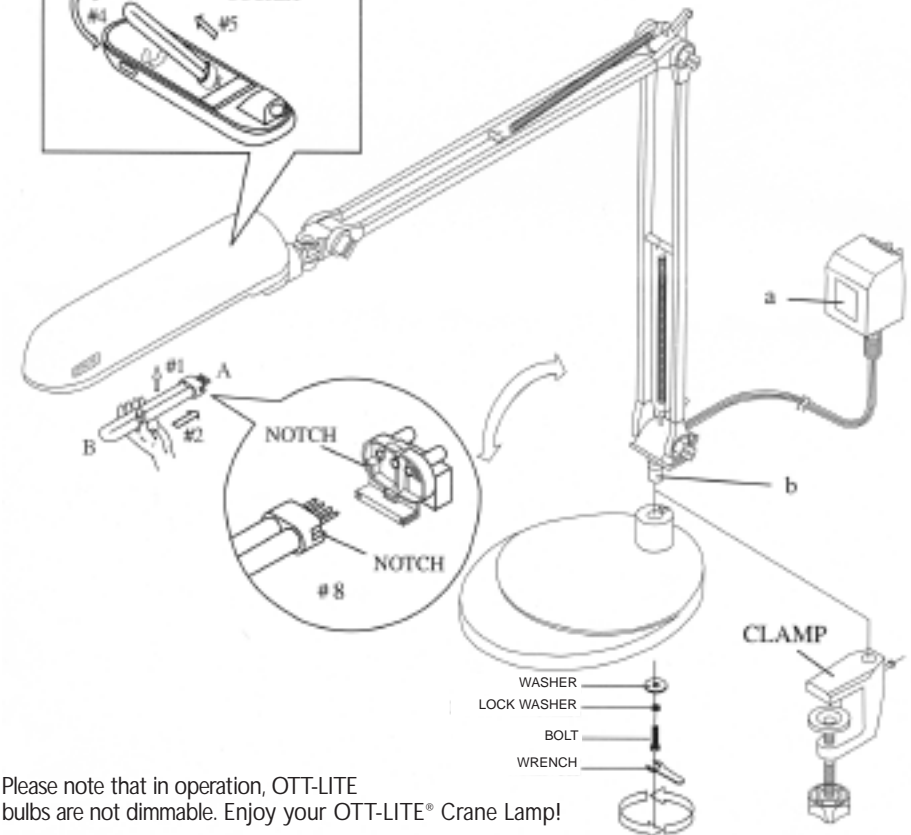
- 1 Make sure that the lamp is not plugged into an electrical socket.
- 2 If the lamp has been in use, allow it to cool for approximately five minutes before proceeding.
- 3 Lift up the shade, so that the tube is visible.
- 4 To remove a tube already installed in the lamp, angle the tube out of the shade clip, approximately 15 degrees (#3).
- 5 Angle the tube from left to right, approximately 30 degrees each way (#4).
- 6 While angling the tube from left to right, pull tube up and out from socket, as indicated (#5).
- 7 To install a tube in the socket, firmly grasp the tube with the pins, located at the base of the tube, pointed towards the socket, insert the tube into the shade clip (#1, #2).
- 8 Push the tube into socket by applying pressure to the base of tube until it snaps into the socket. Do not apply pressure to the glass end of tube.

LAMP ASSEMBLY

- 1 Make sure that the lamp is not plugged into an electrical socket.
- 2 With electric wire pointing towards the rear of the base, firmly insert dowel of lamp into the hole located in the top of the base (B).
- 3 While holding dowel into base of lamp, invert the lamp so the base is in the air.
- 4 Slide lock washer onto bolt, then slide washer onto the bolt.
- 5 Place bolt, with washer and lock washer attached, into recessed hole located on the underneath side of the base.
- 6 Using the enclosed wrench, tighten the bolt securely by turning in a clockwise direction.



Note: To use as a clamp-on lamp, attach clamp to table, desk, shelf or other solid surface and insert dowel at end of lamp (B) into clamp.



Please note that in operation, OTT-LITE bulbs are not dimmable. Enjoy your OTT-LITE® Crane Lamp!