

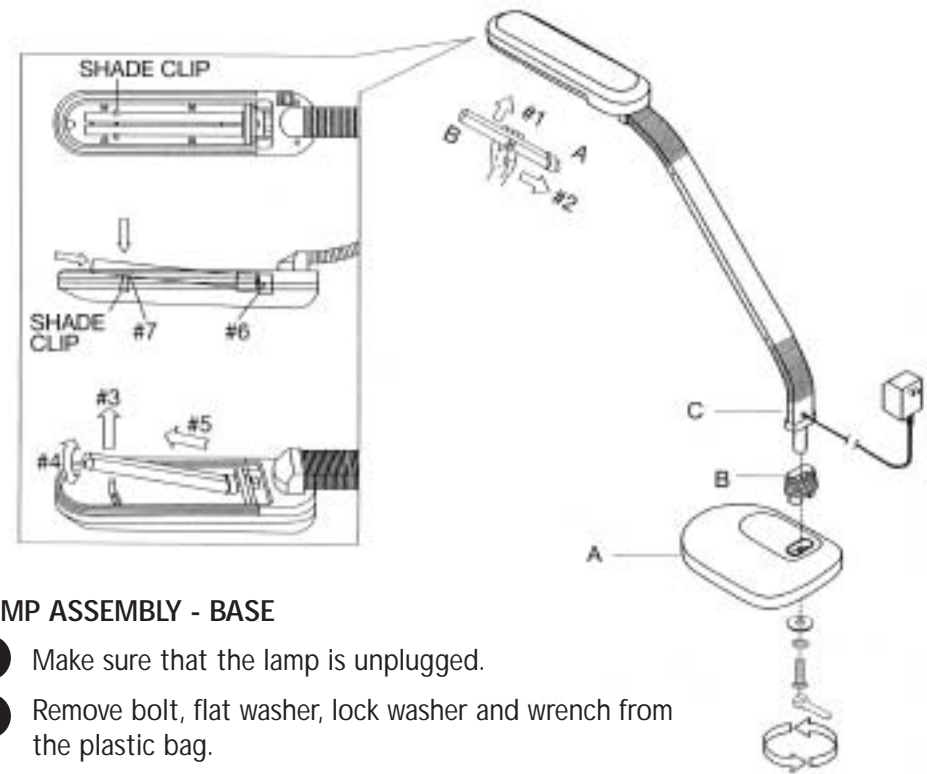


18W FlexArm Plus Lamp

OLFX18TC

TUBE INSERTION / REPLACEMENT

- 1 Make sure that the lamp is not plugged into an electrical socket.
- 2 If the lamp has been in use, allow it to cool for approximately five minutes before proceeding.
- 3 To remove a tube already installed in the lamp, angle the tube out of the shade clip, approximately 15 degrees (#3).
- 4 Angle the tube from left to right, approximately 30 degrees each way (#4).
- 5 While angling the tube from left to right, pull tube up and out from socket (#5).
- 6 To install a tube in the socket, grasp the tube firmly in your hand, position the tube so that it is aligned as pictured in the diagram (#6).
- 7 With the pins (located at the base of the tube) pointed towards the socket, insert the tube into the shade clip (#7).
- 8 Push the tube straight into the socket, by applying pressure to the base of tube, until it "snaps" into place (#2). Do not apply pressure to the glass end of the tube.



LAMP ASSEMBLY - BASE

- 1 Make sure that the lamp is unplugged.
- 2 Remove bolt, flat washer, lock washer and wrench from the plastic bag.
- 3 With electric wire pointing towards rear of base, firmly insert the stem of the lamp (C) into the hole located in the base adapter (B).
- 4 Slide entire unit into the base (A).
- 5 While holding stem into base of lamp, invert the lamp so the base is in the air.
- 6 Insert the bolt through the lock washer, then through the flat washer, and finally into the recessed hole in the bottom of the base, as indicated in the diagram.
- 7 Using the enclosed wrench, tighten the bolt securely by turning in a clockwise direction.

LAMP ASSEMBLY - CLAMP

- 1 Attach clamp to table, shelf or other strong, solid surface. Secure clamp by turning screw until clamp is fastened tightly.
- 2 Insert the stem of the lamp into the hole in the clamp.

Please note that in operation, OTT-LITE bulbs are not dimmable.
Enjoy your OTT-LITE® FlexArm Plus Lamp!

